

Homelite®

**Pressure Washer
Item No. UT80522G
Mfg. No. 090079228
Replacement Parts List**

**Nettoyeur haute pression
Num. de article UT80522G
Num. de fabrication 090079228
Liste des pièces de rechange**

**Lavadora a presión
Núm. de artículo UT80522G
Núm. de fabricación 090079228
Lista de piezas de repuesto**

HOMELITE CONSUMER PRODUCTS, INC.

1428 Pearman Dairy Road, Anderson, SC 29625

Phone 1-800-242-4672

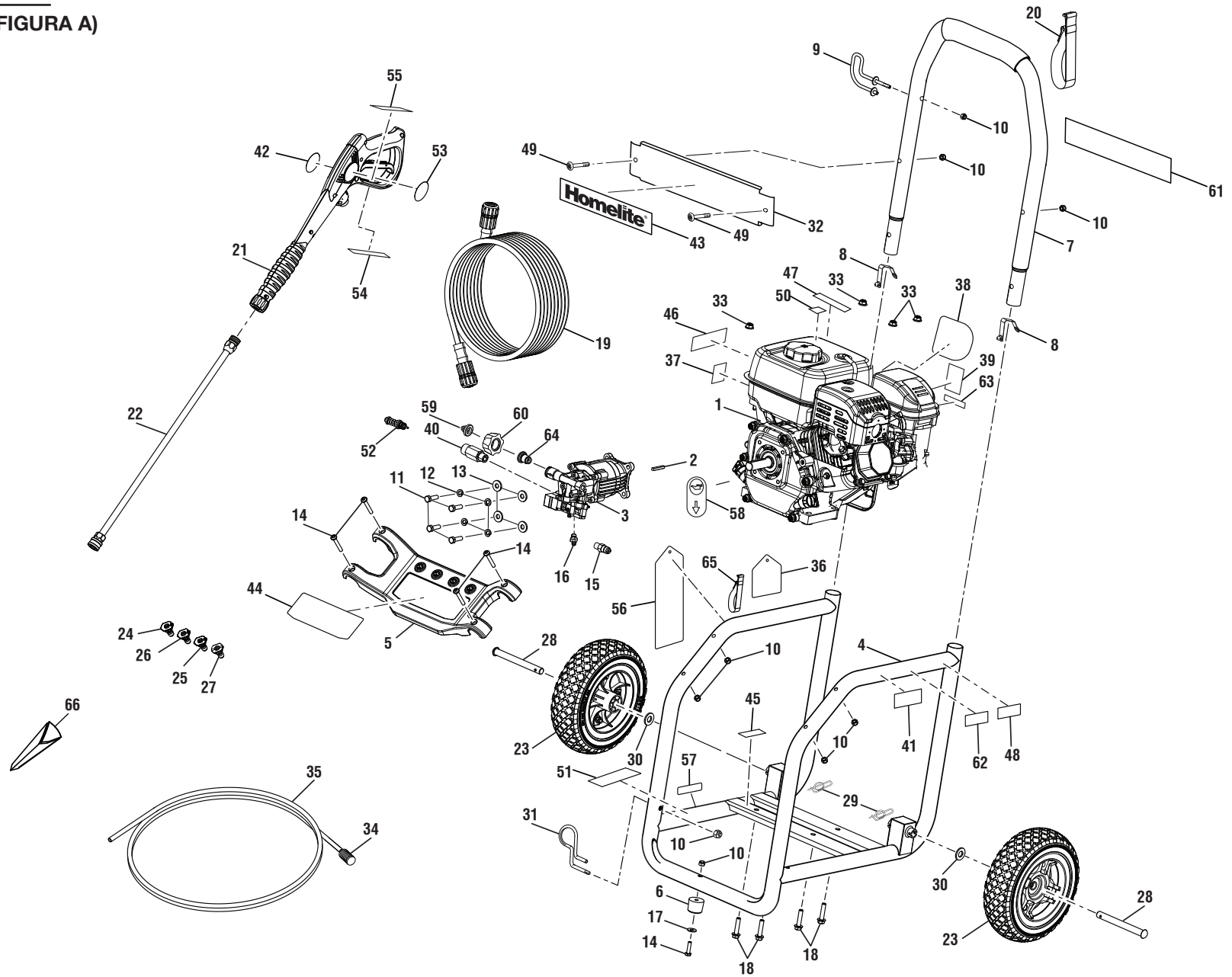
www.homelite.com

A subsidiary of Techtronic Industries Co., Ltd.

OTC: TTNDY

HOMELITE PRESSURE WASHER – ITEM NO. UT80522G

FIGURE A
(FIGURE A, FIGURA A)



HOMELITE PRESSURE WASHER – ITEM NO. UT80522G

The item and manufacturing numbers will be found on a label attached to the engine plate. Always mention the item and manufacturing numbers in all correspondence regarding your **PRESSURE WASHER** or when ordering replacement parts.

FIGURE A PARTS LIST

| KEY PART NO. NUMBER | DESCRIPTION | QTY | KEY PART NO. NUMBER | DESCRIPTION | QTY | KEY PART NO. NUMBER | DESCRIPTION | QTY |
|------------------------|-------------|-----|------------------------|-------------|---------------------------------|------------------------|-----------------------------------|-------------------------------------|
| 1 | Note A | | 23 | 308451018 | Wheel Assembly (10 in. x 3 in.) | 49 | 661503014 | Bolt (1/4-20 x 43 mm, Torx T-30) |
| | | 1 | 24 | 308697029 | Nozzle, 0° | | | 2 |
| 2 | 678041007 | | 25 | 308700030 | Nozzle 40° | 50 | 940899002 | No Oil to Gas Label |
| | | 1 | 26 | 308699029 | Nozzle 25° | | | 1 |
| 3 | 308653057 | | 27 | 308706011 | Soap Nozzle | 51 | 940947003 | Combustion Label |
| | | 1 | 28 | 620599019 | Axle | | | 1 |
| 4 | 308582044 | | 29 | 678899006 | Hitch Pin | 52 | 310924003 | Unloader Valve Assembly |
| | | 1 | 30 | 638275002 | Washer (1/2 in.) | | | 1 |
| 5 | 518790009 | | 31 | 678243012 | Wand Holder (Lower) | 53 | 940654084 | Trigger Handle Warning Label (Eng) |
| | | 1 | 32 | 678973001 | Front Panel | | | 1 |
| 6 | 570554002 | | 33 | 678774001 | Lock Nut (M8 x 1.25) | 54 | 940654228 | Warning Label (Fr/Sp) |
| | | 1 | 34 | 308103015 | Filter | | | 1 |
| 7 | 308638039 | | 35 | 561399003 | Chemical Siphon Tube | 55 | 940786020 | Trigger Handle Label |
| | | 1 | 36 | 961039005 | Nozzle Instructions Hangtag | | | 1 |
| 8 | 308421005 | | 37 | 940698017 | Engine Label (On-Off) | 56 | 940473009 | Danger Hangtag |
| | | 2 | 38 | 940633005 | Recoil Label | | | 1 |
| 9 | 308316005 | | 39 | 940647080 | Choke Label | 57 | 940517007 | Lubricant Label |
| | | 1 | 40 | 308862003 | Outlet Tube | | | 1 |
| 10 | 678016006 | | 41 | 940680027 | Hot Surface Label | 58 | 940889002 | Dipstick Hangtag |
| | | 9 | 42 | 940786016 | Trigger Handle Logo Label | | | 1 |
| 11 | 661557011 | | 43 | 940748005 | Homelite Label | 59 | 308662001 | Filter Screen |
| | | 4 | 44 | 940779071 | Performance Label | | | 1 |
| 12 | 638678001 | | 45 | 940871002 | Add Oil Label | 60 | 310993003 | Collar |
| | | 4 | 46 | 940894004 | Danger Label | | | 1 |
| 13 | 638675005 | | 47 | 940872003 | E85 Label | 61 | 940617108 | Quick Start Label |
| | | 4 | 48 | 940324014 | Homelite Inquiries Label | | | 1 |
| 14 | 661503013 | | | | | 62 | 940803018 | EMC Label |
| | | 5 | | | | | | 1 |
| 15 | 678169004 | | | | | 63 | 941494010 | Fuel On/Off Label |
| | | 1 | | | | | | 1 |
| 16 | 308452002 | | | | | 64 | 642058001 | Spindle |
| | | 1 | | | | | | 1 |
| 17 | 638128004 | | | | | 65 | 310801003 | Detergent Suction Hose Velcro Strap |
| | | 1 | | | | | | 1 |
| 18 | 661505005 | | | | | 66 | 519314001 | Funnel |
| | | 4 | | | | | | 1 |
| 19 | 308835006 | | | | | Not Shown: | | |
| | | 1 | | | | 990000610 | Operator's Manual (960908007) | |
| 20 | 310801001 | | | | | 990000612 | Quick Reference Guide (960554008) | |
| | | 1 | | | | | | |
| 21 | 308760019 | | | | | | | |
| | | 1 | | | | | | |
| 22 | 308506006 | | | | | | | |
| | | 1 | | | | | | |

NOTE A: Homelite Consumer Products, Inc. will not provide complete engines as replacement parts. Engines are covered through the engine manufacturer's warranty. Consult the accompanying engine manual or contact our service department for assistance.

* If you intend to operate this product at an altitude of more than 3000 ft above sea level, please call 1-800-242-4672 to obtain one of our high altitude kits.

LAVEUSE À PRESSION HOMELITE – ARTICLE NO. UT80522G

Le numéro de artículo et le numéro de fabrication se trouve sur une étiquette fixée sur le moteur. Ne jamais oublier de mentionner le numéro de artículo et le numéro de fabrication dans toute correspondance concernant le **LAVEUSE À PRESSION** ou lors de la commande de pièces détachées.

FIGURE A LISTE DES PIÈCES

| NO. RÉF. | NO. PIÈCE | DESCRIPTION | QTÉ. | NO. RÉF. | NO. PIÈCE | DESCRIPTION | QTÉ. | NO. RÉF. | NO. PIÈCE | DESCRIPTION | QTÉ. |
|----------|-----------|---|------|----------|-----------|--|------|-----------------------|--|---|------|
| 1 | Note A | Moteur (180 cc arbre horizontale, EPA) | 1 | 23 | 308451018 | Ensemble de roues (10 po x 3 po)2 | | 49 | 661503014 | Boulon(1/4-20 x 43 mm, Torx T-30) | 2 |
| 2 | 678041007 | Sortir la clé d'arbre | 1 | 24 | 308697029 | Buse 0° | 1 | 50 | 940899002 | Étiquette de NE PAS ajouter de l'huile à l'essence | 1 |
| 3 | 308653057 | Pompe (incl. pièce réf. 16, 40, 52, 59-60 et 64) | 1 | 25 | 308700030 | Buse 40° | 1 | 51 | 940947003 | Étiquette de combustion | 1 |
| 4 | 308582044 | Cadre principal | 1 | 26 | 308699029 | Buse 25° | 1 | 52 | 310924003 | Ensemble de soupape de déchargement..... | 1 |
| 5 | 518790009 | Rangement de buse | 1 | 27 | 308706011 | Buse à détergent | 1 | 53 | 940654084 | Étiquette d'avertissement (Eng)... | 1 |
| 6 | 570554002 | Pied en caoutchouc..... | 1 | 28 | 620599019 | Essieu | 2 | 54 | 940654228 | Étiquette d'avertissement de poignée de gâchette (Fr/Esp) . | 1 |
| 7 | 308638039 | Ensemble de poignée (incl. pièce réf. 8, 10, 32 et 49) ... | 1 | 29 | 678899006 | Goupille de sûreté..... | 2 | 55 | 940786020 | Étiquette poignée de gâchette | 1 |
| 8 | 308421005 | Bouton de verrouillage w/agrafe à ressort..... | 2 | 30 | 638275002 | Rondelle (1/2 po) | 2 | 56 | 940473009 | Étiquette attachées de danger | 1 |
| 9 | 308316005 | Support de lance (supérieur) | 1 | 31 | 678243012 | Support de lance (inférieur) | 1 | 57 | 940517007 | Étiquette de lubrifiant de moteur . | 1 |
| 10 | 678016006 | Écrou de blocage (1/4-20) | 9 | 32 | 678973001 | Panneau droit | 1 | 58 | 940889002 | Étiquette attachée de jauge d'huile | 1 |
| 11 | 661557011 | Boulon (5/16-24 x 27 mm, tête hex.) | 4 | 33 | 678774001 | Écrou de blocage (M8 x 1,25)..... | 4 | 59 | 308662001 | Filtre écran..... | 1 |
| 12 | 638678001 | Rondelle frein (5/16 po) | 4 | 34 | 308103015 | Filtre | 1 | 60 | 310993003 | Collier..... | 1 |
| 13 | 638675005 | Rondelle (5/16 po) | 4 | 35 | 561399003 | Tuyau-siphon à produits chimiques | 1 | 61 | 940617108 | Étiquette de démarrage rapide.... | 1 |
| 14 | 661503013 | Vis (1/4-20 x 2,0 po)..... | 5 | 36 | 961039005 | Étiquette attachées d'instructions de buse | 1 | 62 | 940803018 | Étiquette de EMC | 1 |
| 15 | 678169004 | Soupape thermique de relachement | 1 | 37 | 940698017 | Étiquette du moteur (« marche/arrêt »)..... | 1 | 63 | 941494010 | Étiquette de carburant marche/arrêt | 1 |
| 16 | 308452002 | Kit de aspiration de détergent | 1 | 38 | 940633005 | Étiquette du lanceur | 1 | 64 | 642058001 | Broche | 1 |
| 17 | 638128004 | Rondelle (1/4 po) | 1 | 39 | 940647080 | Étiquette de volet de départ | 1 | 65 | 310801003 | Filtre d'entrée d'eau | 1 |
| 18 | 661505005 | Boulon (M8 x 36 mm, tête hex. flasque) | 4 | 40 | 308862003 | Tube de sortie..... | 1 | 66 | 519314001 | Entonnoir | 1 |
| 19 | 308835006 | Tuyaux | 1 | 41 | 940680027 | Étiquette de surface brûlante | 1 | Pas illustré : | | | |
| 20 | 310801001 | Sangle à boucles et crochets | 1 | 42 | 940786016 | Étiquette poignée de gâchette | 1 | 990000610 | Manuel d'utilisation (960908007) | | |
| 21 | 308760019 | Poignée à gâchette (incl. pièce réf. 53 et 55)..... | 1 | 43 | 940748005 | Étiquette de Homelite | 1 | 990000612 | Guide de consultation rapide (960554008) | | |
| 22 | 308506006 | Lance d'extension | 1 | 44 | 940779071 | Étiquette de rendement | 1 | | | | |
| | | | | 45 | 940871002 | Étiquette de bas niveau d'huile ... | 1 | | | | |
| | | | | 46 | 940894004 | Étiquette de danger | 1 | | | | |
| | | | | 47 | 940872003 | Étiquette de E85 | 1 | | | | |
| | | | | 48 | 940324014 | Étiquette de enquête Homelite | 1 | | | | |

NOTE A: Homelite Consumer Products, Inc. ne fournit pas de moteurs dans ses pièces détachées. Les moteurs sont couverts par la garantie du fabricant de moteurs. Consulter le manuel du moteur inclus ou contacter notre département de service après-vente pour toute assistance.

* Si ce produit doit fonctionner à une altitude de plus de 914,5 m (3 000 pi) au-dessus du niveau de la mer, veuillez obtenir l'une de nos troussees pour altitude élevée en appelant au 1-800-242-4672.

LAVADORA A PRESIÓN HOMELITE – ARTÍCULO NÚM. UT80522G

Los números de los puntos y de fabricación se encuentran en una etiqueta adherida a la placa del motor. Siempre mencione los números de los puntos y de fabricación en toda la correspondencia relacionada con su **LAVADORA A PRESIÓN** o al ordenar piezas de repuesto.

FIGURA A LISTA DE PIEZAS

| NÚM. REF. | NÚM. PIEZA | DESCRIPCIÓN | CANT. | NÚM. REF. | NÚM. PIEZA | DESCRIPCIÓN | CANT. | NÚM. REF. | NÚM. PIEZA | DESCRIPCIÓN | CANT. |
|-----------|------------|--|-------|-----------|------------|---|-------|------------------------|------------------------------------|--|-------|
| 1 | Nota A | Motor (180 cc eje horizontal, EPA) | 1 | 22 | 308506006 | Rociador de extensión | 1 | 47 | 940872003 | Etiqueta de E85 | 1 |
| 2 | 678041007 | Llave del eje de salida | 1 | 23 | 308451018 | Conjunto de rueda (10 pulg. x 3 pulg.) | 2 | 48 | 940896001 | Etiqueta de Homelite investigación | 1 |
| 3 | 308653057 | Bomba (incl. pza. núm. ref. 16, 40, 52, 59-60 y 64) | 1 | 24 | 308697029 | Boquilla 0° | 1 | 49 | 661503014 | Perno (1/4-20 x 43 mm, Torx T-30) .. | 2 |
| 4 | 308582044 | Armazón principal | 1 | 25 | 308700030 | Boquilla 40° | 1 | 50 | 940899002 | Etiqueta de NO añade aceite a la gasolina | 1 |
| 5 | 518790009 | Soporte para boquillas | 1 | 26 | 308699029 | Boquilla 25° | 1 | 51 | 940901001 | Etiqueta de combustión | 1 |
| 6 | 570554002 | Pie de goma | 1 | 27 | 308706011 | Boquilla negra | 1 | 52 | 310924003 | conjunto de la válvula del descargador | 1 |
| 7 | 308638039 | Conjunto de mango (incl. pza. núm. ref. 8, 10, 32 y 49) .. | 1 | 28 | 620599019 | Eje | 2 | 53 | 940654084 | Etiqueta de advertencia (Eng) | 1 |
| 8 | 308421005 | Botón del seguro c/clip de resorte .. | 2 | 29 | 678899006 | Pasador del enganche | 2 | 54 | 940654228 | Etiqueta de advertencia (Fra./Esp.) .. | 1 |
| 9 | 308316005 | Soporte del rociador (superior) | 1 | 30 | 638275002 | Arandela (1/2 pulg.) | 2 | 55 | 940786020 | Etiqueta de potencia del tubo | 1 |
| 10 | 678016006 | Contratuercas (1/4-20) | 9 | 31 | 678243012 | Soporte del rociador (inferior) | 1 | 56 | 940473009 | Etiqueta colgada del peligro | 1 |
| 11 | 661557011 | Perno (5/16-24 x 27 mm, cabeza hex.) | 4 | 32 | 678973001 | Panel delantero | 1 | 57 | 940517007 | Etiqueta de lubricante para motor .. | 1 |
| 12 | 638678001 | Arandela de fijación (5/16 pulg.) | 4 | 33 | 678774001 | Contratuercas (M8 x 1,25) | 4 | 58 | 940889002 | etiqueta colgante de varilla para medir el nivel de aceite | 1 |
| 13 | 638675005 | Rondelle (5/16 pulg.) | 4 | 34 | 308103015 | Filtro | 1 | 59 | 308662001 | Etiqueta colgada del varilla para medir el nivel de aceit | 1 |
| 14 | 661503013 | Tornillo (1/4-20 x 2,0 pulg.) | 5 | 35 | 561399003 | Filtro de sifón químico | 1 | 60 | 310993003 | Collar | 1 |
| 15 | 678169004 | Válvula de descarga térmica | 1 | 36 | 961039005 | Etiqueta colgante de instrucciones del boquilla | 1 | 61 | 940617108 | Etiqueta de arranque rapido | 1 |
| 16 | 308452002 | Juego para la succión de detergente | 1 | 37 | 940698017 | Etiqueta de motor (encendido/apagado) | 1 | 62 | 940803018 | Etiqueta de EMC | 1 |
| 17 | 638128004 | Rondelle (1/4 pulg.) | 1 | 38 | 940633005 | Etiqueta de retráctil | 1 | 63 | 941494010 | Etiqueta de combustible encendido/apagado | 1 |
| 18 | 661505005 | Perno (M8 x 36 mm, cabeza hex. brida) | 4 | 39 | 940647080 | Etiqueta del anegador | 1 | 64 | 642058001 | Husillo | 1 |
| 19 | 308835006 | Manguera | 1 | 40 | 308862003 | Tubo de tornacorriente | 1 | 65 | 310801003 | Filtro de la entrada de agua | 1 |
| 20 | 310801001 | Correa de gancho y lazada | 1 | 41 | 940680027 | Etiqueta superficial caliente | 1 | 66 | 519314001 | Embudo | 1 |
| 21 | 308760019 | Mango del gatillo (incl. pza. núm. ref. 53 y 55) | 1 | 42 | 940786016 | Etiqueta de mango del gatillo | 1 | No se muestra : | | | |
| | | | | 43 | 940748005 | Etiqueta de Homelite | 1 | 990000610 | Manual del operador (960908007) | | |
| | | | | 44 | 940779071 | Etiqueta de desempeño | 1 | 990000612 | Guía de consulta rápida (96554008) | | |
| | | | | 45 | 940871002 | Etiqueta de appoint d'huile | 1 | | | | |
| | | | | 46 | 940894004 | Etiqueta peligro | 1 | | | | |

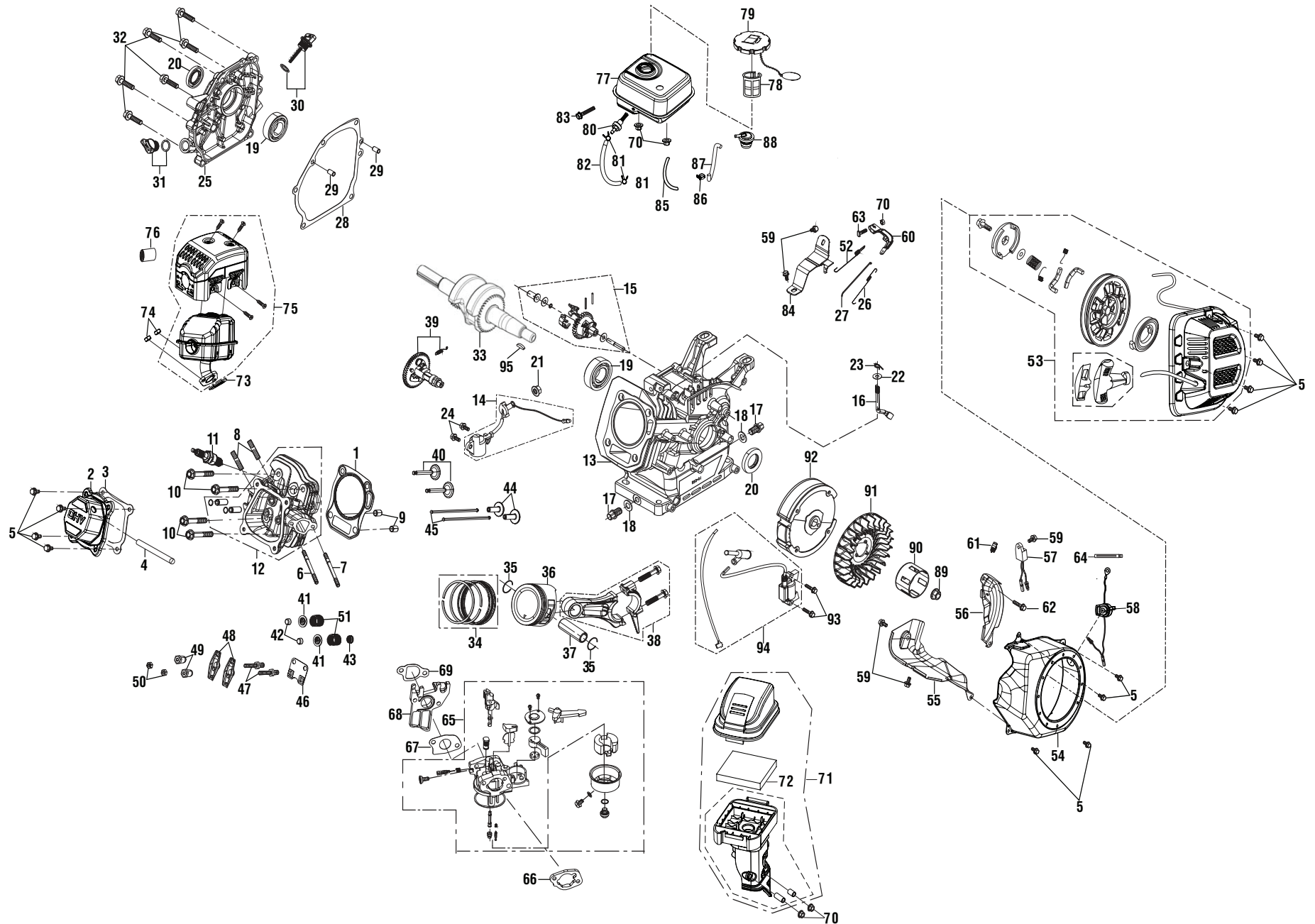
NOTE A: Homelite Consumer Products, Inc., no proporcionará los motores como repuestos. Los motores están cubiertos por medio de la garantía del fabricante del motor. Consulte el manual adjunto del motor o comuníquese con nuestro departamento de servicio para recibir ayuda al respecto.

* Si tiene pensado operar este producto a una altitud mayor a los 915 m (3000 pies) sobre el nivel del mar, llame al 1-800-242-4672 para adquirir uno de nuestros equipos para altitudes elevadas.

HOMELITE PRESSURE WASHER — ITEM NO. UT80522G

FIGURE B

(FIGURE B, FIGURA B)



HOMELITE PRESSURE WASHER – ITEM NO. UT80522G

The item and manufacturing numbers will be found on a label attached to the engine plate. Always mention the item and manufacturing numbers in all correspondence regarding your **PRESSURE WASHER** or when ordering replacement parts.

FIGURE C PARTS LIST

| KEY NO. | PART NUMBER | DESCRIPTION | QTY | KEY NO. | PART NUMBER | DESCRIPTION | QTY | KEY NO. | PART NUMBER | DESCRIPTION | QTY |
|---------|--------------------|--|-----|---------|--------------------|------------------------------------|-----|-------------------|---|---------------------------------|-----|
| 1 | 12131-Z440320-0000 | Cylinder Head Gasket..... | 1 | 35 | 13122-Z010110-0000 | Piston Pin Clip | 2 | 70 | 90305-0600-31 | Nut (need size) | 5 |
| 2 | 12410-Z440210-0099 | Cylinder Head Cover Assembly | 1 | 36 | 13111-Z440110-0099 | Piston Assembly | 1 | 71 | 17100-Z440220-0099 | Air Cleaner | 1 |
| 3 | 12004-Z440210-0000 | Cylinder Head Cover Gasket | 1 | 37 | 13121-Z360110-0000 | Piston Pin..... | 1 | 72 | 17151-Z440110 | Air Cleaner Element | 1 |
| 4 | 17004-Z440110-0000 | Breather Tube..... | 1 | 38 | 13010-Z440210-0099 | Connecting Rod..... | 1 | 73 | 18001-Z440110-0000 | Exhaust Outlet Gasket..... | 1 |
| 5 | 90001-0612-01 | Bolt (need size) | 12 | 39 | 14200-Z440210-0099 | Camshaft Assembly..... | 1 | 74 | 90303-0800-31 | Nut (need size) | 2 |
| 6 | 90204-Z010310-0000 | Stud | 1 | 40 | 12110-Z440110-0099 | Valve..... | 2 | 75 | 18100-Z442220-H699 | Muffler Assembly | 1 |
| 7 | 90207-Z330210-0000 | Stud | 1 | 41 | 12107-Z010110-0000 | Valve Spring Seat..... | 2 | 76 | 18110-Z250110-0003 | Catalyst Assembly | 1 |
| 8 | 90203-Z010110-0000 | Stud | 2 | 42 | 12104-Z010110-0000 | Valve Rotator..... | 2 | 77 | 16620-Z440510-H700 | Fuel Tank..... | 1 |
| 9 | 90502-1114-00 | Pin..... | 2 | 43 | 12101-Z010110-0000 | Seal Guide | 2 | 78 | 16652-Z010710-0000 | Fuel Strainer..... | 1 |
| 10 | 12003-Z010110-0000 | Bolt (Cylinder Head)..... | 4 | 44 | 14081-Z040110-0000 | Valve Tappet..... | 2 | 79 | 16730-Z440330-0099 | Fuel Tank Cover | 1 |
| 11 | 30010-Z010110-0000 | Spark Plug | 1 | 45 | 14071-Z440110-0000 | Valve Lifter | 2 | 80 | 16680-Z010110-0000 | Fuel Filter Assembly..... | 1 |
| 12 | 12140-Z440510-0099 | Cylinder Head Assembly..... | 1 | 46 | 14090-Z010110-0000 | Guide Plate Assembly..... | 1 | 81 | 90740-Z010210-0000 | Collar..... | 2 |
| 13 | 11310-Z440520-0000 | Crankcase Assembly | 1 | 47 | 14313-Z010110-0000 | Valve Adjusting Bolt | 2 | 82 | 90686-Z010710-0000 | Fuel Line..... | 1 |
| 14 | 37060-Z010120-0000 | Engine Oil Sensor | 1 | 48 | 14311-Z010110-0000 | Valve Rocker | 2 | 83 | 90001-0630-01 | Bolt..... | 1 |
| 15 | 16400-Z010110-0000 | Governor Gear Assembly..... | 1 | 49 | 14314-Z010110-0000 | Valve Adjusting Nut..... | 2 | 84 | 16520-Z010610-0000 | Throttle Control Assembly | 1 |
| 16 | 16061-Z010110-0000 | Governor Arm | 1 | 50 | 14312-Z010110-0000 | Valve Lock Nut | 2 | 85 | 30431-Z010110-0000 | Rubber Jacket..... | 1 |
| 17 | 11007-Z010110-0000 | Drain Plug Bolt..... | 2 | 51 | 12103-Z010110-0000 | Spring..... | 2 | 86 | 90685-Z030410-0000 | Clamp..... | 1 |
| 18 | 90408-Z010110-0000 | Washer | 2 | 52 | 16063-Z440110-0000 | Governor Spring | 1 | 87 | 16804-Z440210-0099 | Vapor Hose | 1 |
| 19 | 90547-0205-CI | Bearing..... | 2 | 53 | 28200-Z010310-Q200 | Recoil Starter Assembly..... | 1 | 88 | 15150-Z010510-0000 | Fuel Tank Vapor Vent | 1 |
| 20 | 90682-Z300110-0000 | Oil Seal..... | 2 | 54 | 28110-Z010410-H700 | Shroud | 1 | 89 | 13501-Z010110-0000 | Nut | 1 |
| 21 | 90305-Z010210-01 | Nut | 1 | 55 | 19304-Z010110-0000 | Shroud (flasque de cylindre) | 1 | 90 | 28002-Z010310-0000 | Starter Pulley..... | 1 |
| 22 | 90408-Z010210-0000 | Washer | 1 | 56 | 19340-Z010120-0000 | Lower Shield | 1 | 91 | 19352-Z440110-0000 | Impeller | 1 |
| 23 | 90501-Z010110-0000 | Pin..... | 1 | 57 | 37050-Z010210-0000 | Oil Protector..... | 1 | 92 | 13510-Z440110-0000 | Flywheel Assembly | 1 |
| 24 | 90001-0614-01 | Bolt..... | 2 | 58 | 35540-Z060130-QG00 | Switch Assembly | 1 | 93 | 90001-0625-01 | Bolt..... | 2 |
| 25 | 11411-Z440210-0000 | Crankcase Cover Assembly..... | 1 | 59 | 90001-0610-01 | Bolt..... | 5 | 94 | 30400-Z440110-0000 | Ignition Coil..... | 1 |
| 26 | 16012-Z010110-0000 | Throttle Valve Return Spring..... | 1 | 60 | 16070-Z010110-0000 | Governor Support Assembly | 1 | 95 | 90524-Z010110-0000 | Woodruff Key | 1 |
| 27 | 16062-Z010110-0000 | Governor Rod | 1 | 61 | 90740-Z010110-0000 | Collar..... | 1 | Not Shown: | | | |
| 28 | 11001-Z440110-0000 | Crankcase Gasket | 1 | 62 | 90001-0616-01 | Bolt..... | 1 | 120960003 | High Altitude Kit, Ruixing Carburetor (3000 - 6000 ft., Not Included) | | |
| 29 | 90502-0912-00 | Pin..... | 2 | 63 | 16072-Z010110-0000 | Bolt..... | 1 | 120960004 | High Altitude Kit, Ruixing Carburetor (6000 - 8000 ft., Not Included) | | |
| 30 | 15010-Z010120-QG00 | Dipstick | 1 | 64 | 90684-Z030120-0000 | Clip..... | 1 | 120968025 | High Altitude Kit, Huayi Carburetor (3000 - 6000 ft., Not Included) | | |
| 31 | 15030-Z010120-QG00 | Oil Plug..... | 1 | 65 | 16100-Z440510-QG99 | Carburetor Assembly | 1 | 120968026 | High Altitude Kit, Huayi Carburetor (6000 - 8000 ft., Not Included) | | |
| 32 | 90001-0832-01 | Bolt..... | 6 | 66 | 17001-Z010210-0000 | Air Cleaner Gasket..... | 1 | | | | |
| 33 | 13300-Z440220-0000 | Crankshaft Assembly (Inc. Key No. 95)..... | 1 | 67 | 16001-Z010110-0000 | Carburetor Gasket | 1 | | | | |
| 34 | 13200-Z440110-0099 | Piston Rings..... | 1 | 68 | 16003-Z010110-0000 | Carburetor Insulator Plate..... | 1 | | | | |
| | | | | 69 | 16002-Z050110-0000 | Carburetor Insulator Gasket | 1 | | | | |

NOTE A: Homelite Consumer Products, Inc. will not provide complete engines as replacement parts. Engines are covered through the engine manufacturer's warranty. Consult the accompanying engine manual or contact our service department for assistance.

* If you intend to operate this product at an altitude of more than 3000 ft above sea level, please call 1-800-242-4672 to obtain one of our high altitude kits.

LAVEUSE À PRESSION HOMELITE – ARTICLE NO. UT80522G

Le numéro de artículo et le numéro de fabrication se trouve sur une étiquette fixée sur le moteur. Ne jamais oublier de mentionner le numéro de artículo et le numéro de fabrication dans toute correspondance concernant le **LAVEUSE À PRESSION** ou lors de la commande de pièces détachées.

FIGURE C LISTE DES PIÈCES

| NO. RÉF. | NO. PIÈCE | DESCRIPTION | QTÉ | NO. RÉF. | NO. PIÈCE | DESCRIPTION | QTÉ | NO. RÉF. | NO. PIÈCE | DESCRIPTION | QTÉ |
|----------|--------------------|---|-----|----------|--------------------|-------------------------------------|-----|----------|--------------------|--|-----|
| 1 | 12131-Z440320-0000 | Joint de culasse..... | 1 | 34 | 13200-Z440110-0099 | Segment de piston | 1 | 70 | 90305-0600-31 | Écrou | 5 |
| 2 | 12410-Z440210-0099 | Culassee couvercle | 1 | 35 | 13122-Z010110-0000 | Clip de broche de piston | 2 | 71 | 17100-Z440220-0099 | Filtre à air | 1 |
| 3 | 12004-Z440210-0000 | Joint de couvercle de la culasse | 1 | 36 | 13111-Z440110-0099 | Ensemble de piston..... | 1 | 72 | 17151-Z440110 | Élément filtrant de filtre à air..... | 1 |
| 4 | 17004-Z440110-0000 | Tuyau de reniflard | 1 | 37 | 13121-Z360110-0000 | Broche de piston | 1 | 73 | 18001-Z440110-0000 | Joint d'échappement..... | 1 |
| 5 | 90001-0612-01 | Boulon | 12 | 38 | 13010-Z440210-0099 | Connexion tige | 1 | 74 | 90303-0800-31 | Écrou | 2 |
| 6 | 90204-Z010310-0000 | Goujon | 1 | 39 | 14200-Z440210-0099 | Ensemble d'arbre à cames..... | 1 | 75 | 18100-Z442220-H699 | Ensemble de silencieux..... | 1 |
| 7 | 90207-Z330210-0000 | Goujon | 1 | 40 | 12110-Z440110-0099 | Soupape | 2 | 76 | 18110-Z250110-0003 | Ensemble de catalyseur | 1 |
| 8 | 90203-Z010110-0000 | Goujon | 2 | 41 | 12107-Z010110-0000 | Siège de ressort du soupape | 2 | 77 | 16620-Z440510-H700 | Réservoir de carburant..... | 1 |
| 9 | 90502-1114-00 | Goupille | 2 | 42 | 12104-Z010110-0000 | Rotation de la soupape | 2 | 78 | 16652-Z010710-0000 | Crépine de carburant..... | 1 |
| 10 | 12003-Z010110-0000 | Boulon (culassee) | 4 | 43 | 12101-Z010110-0000 | Guide de joint | 2 | 79 | 16730-Z440330-0099 | Couvercle de réservoir de carburant1 | 1 |
| 11 | 30010-Z010110-0000 | Bougie | 1 | 44 | 14081-Z040110-0000 | Poussoir de soupape..... | 2 | 80 | 16680-Z010110-0000 | Filtro de la línea de combustible.... | 1 |
| 12 | 12140-Z440510-0099 | Ensemble de culassee..... | 1 | 45 | 14071-Z440110-0000 | Poussoir de valve | 2 | 81 | 90740-Z010210-0000 | Collier | 2 |
| 13 | 11310-Z440520-0000 | Ensemble carter de vilebrequin | 1 | 46 | 14090-Z010110-0000 | Ensemble de plaque de guide..... | 1 | 82 | 90686-Z010710-0000 | Conduites de carburant..... | 1 |
| 14 | 37060-Z010120-0000 | Capteur d'huile de moteur..... | 1 | 47 | 14313-Z010110-0000 | Boulon de réglage de soupape | 2 | 83 | 90001-0630-01 | Boulon | 1 |
| 15 | 16400-Z010110-0000 | Ensemble d'engrenage de régulation..... | 1 | 48 | 14311-Z010110-0000 | Culbuteur..... | 2 | 84 | 16520-Z010610-0000 | Ensemble de commande d'accélérateur..... | 1 |
| 16 | 16061-Z010110-0000 | Levier de commande de régulateur1 | 1 | 49 | 14314-Z010110-0000 | Écrou de réglage de soupape | 2 | 85 | 30431-Z010110-0000 | Manchon en caoutchouc..... | 1 |
| 17 | 11007-Z010110-0000 | Boulon de bouchon de vidange | 2 | 50 | 14312-Z010110-0000 | Écrou freiné de soupape | 2 | 86 | 90685-Z030410-0000 | Pince..... | 1 |
| 18 | 90408-Z010110-0000 | Rondelle..... | 2 | 51 | 12103-Z010110-0000 | Ressort | 2 | 87 | 16804-Z440210-0099 | Tuyaux de vapeur | 1 |
| 19 | 90547-0205-CI | Roulement | 2 | 52 | 16063-Z440110-0000 | Ressort de régulation | 1 | 88 | 15150-Z010510-0000 | Vent de vapeur du réservoir de carburant | 1 |
| 20 | 90682-Z300110-0000 | Joint d'huile | 2 | 53 | 28200-Z010310-Q200 | Ensemble de lanceur à rappel..... | 1 | 89 | 13501-Z010110-0000 | Écrou | 1 |
| 21 | 90305-Z010210-01 | Écrou | 1 | 54 | 28110-Z010410-H700 | Capot..... | 1 | 90 | 28002-Z010310-0000 | Poulie de démarreur | 1 |
| 22 | 90408-Z010210-0000 | Rondelle..... | 1 | 55 | 19304-Z010110-0000 | Capot..... | 1 | 91 | 19352-Z440110-0000 | Ventilateur..... | 1 |
| 23 | 90501-Z010110-0000 | Goupille | 1 | 56 | 19340-Z010120-0000 | Écran inférieur | 1 | 92 | 13510-Z440110-0000 | Ensemble de volant..... | 1 |
| 24 | 90001-0614-01 | Boulon | 2 | 57 | 37050-Z010210-0000 | Protecteur du huile | 1 | 93 | 90001-0625-01 | Boulon | 2 |
| 25 | 11411-Z440210-0000 | Ensemble carter d'engrenages..... | 1 | 58 | 35540-Z060130-QG00 | Ensemble d'interrupteur..... | 1 | 94 | 30400-Z440110-0000 | Bobine d'allumage..... | 1 |
| 26 | 16012-Z010110-0000 | Valve d'accélération de ressort de rappel | 1 | 59 | 90001-0610-01 | Boulon | 5 | 95 | 90524-Z010110-0000 | Clavette woodruff | 1 |
| 27 | 16062-Z010110-0000 | Tige de régulation..... | 1 | 60 | 16070-Z010110-0000 | Ensemble de support de régulation1 | 1 | | | | |
| 28 | 11001-Z440110-0000 | Joint de carter | 1 | 61 | 90740-Z010110-0000 | Collier | 1 | | | | |
| 29 | 90502-0912-00 | Goupille | 2 | 62 | 90001-0616-01 | Boulon | 1 | | | | |
| 30 | 15010-Z010120-QG00 | Jauge d'huile..... | 1 | 63 | 16072-Z010110-0000 | Boulon | 1 | | | | |
| 31 | 15030-Z010120-QG00 | Bouchon à huile..... | 1 | 64 | 90684-Z030120-0000 | Crochet..... | 1 | | | | |
| 32 | 90001-0832-01 | Boulon | 6 | 65 | 16100-Z440510-QG99 | Ensemble de carburateur | 1 | | | | |
| 33 | 13300-Z440220-0000 | Ensemble de couder l'arbre (Inc. pièce no. 95)..... | 1 | 66 | 17001-Z010210-0000 | Joint de filtre à air | 1 | | | | |
| | | | | 67 | 16001-Z010110-0000 | Joint de culasse..... | 1 | | | | |
| | | | | 68 | 16003-Z010110-0000 | Plaque de isolateur de culasse..... | 1 | | | | |
| | | | | 69 | 16002-Z050110-0000 | Joint de isolateur de culasse..... | 1 | | | | |

Pas illustré :

| | |
|-----------|--|
| 120960003 | Ensemble de haute altitude, Ruixing carburetor (3000 - 6000 pi., non inclus) |
| 120960004 | Ensemble de haute altitude, Ruixing carburetor (6000 - 8000 pi., non inclus) |
| 120968025 | Ensemble de haute altitude, Huayi carburetor (3000 - 6000 pi., non inclus) |
| 120968026 | Ensemble de haute altitude, Huayi carburetor (6000 - 8000 pi., non inclus) |

NOTE A : Homelite Consumer Products, Inc. ne fournit pas de moteurs dans ses pièces détachées. Les moteurs sont couverts par la garantie du fabricant de moteurs. Consulter le manuel du moteur inclus ou contacter notre département de service après-vente pour toute assistance.

* Si ce produit doit fonctionner à une altitude de plus de 914,5 m (3 000 pi) au-dessus du niveau de la mer, veuillez obtenir l'une de nos troussees pour altitude élevée en appelant au 1-800-242-4672.

LAVADORA A PRESIÓN HOMELITE — ARTÍCULO NÚM. UT80522G

Los números de los puntos y de fabricación se encuentran en una etiqueta adherida a la placa del motor. Siempre mencione los números de los puntos y de fabricación en toda la correspondencia relacionada con su **LAVADORA A PRESIÓN** o al ordenar piezas de repuesto.

FIGURA C LISTA DE PIEZAS

| NÚM. REF. | NÚM. PIEZA | DESCRIPCIÓN | CANT | NÚM. REF. | NÚM. PIEZA | DESCRIPCIÓN | CANT | NÚM. REF. | NÚM. PIEZA | DESCRIPCIÓN | CANT |
|-----------|--------------------|--|------|-----------|--------------------|--|------|-----------|--------------------|---|------|
| 1 | 12131-Z440320-0000 | Junta del culata de cilindro | 1 | 34 | 13200-Z440110-0099 | Anillo del pistón | 1 | 70 | 90305-0600-31 | Tuerca | 5 |
| 2 | 12410-Z440210-0099 | Junta del cilindro cubierta | 1 | 35 | 13122-Z010110-0000 | Sujetador un pasador de pistón.... | 2 | 71 | 17100-Z440220-0099 | Limpiador de aire..... | 1 |
| 3 | 12004-Z440210-0000 | Junta de la tapa de la culata | 1 | 36 | 13111-Z440110-0099 | Conjunto de pistón | 1 | 72 | 17151-Z440110 | Filtro del limpiador de aire..... | 1 |
| 4 | 17004-Z440110-0000 | tubo respiradero..... | 1 | 37 | 13121-Z360110-0000 | Pasador de pistón | 1 | 73 | 18001-Z440110-0000 | Junta del escape | 1 |
| 5 | 90001-0612-01 | Perno | 12 | 38 | 13010-Z440210-0099 | Conjunto del biela..... | 1 | 74 | 90303-0800-31 | Tuerca | 2 |
| 6 | 90204-Z010310-0000 | Vástago..... | 1 | 39 | 14200-Z440210-0099 | Conjunto de eje de la leva | 1 | 75 | 18100-Z442220-H699 | Conjunto del silenciador..... | 1 |
| 7 | 90207-Z330210-0000 | Vástago..... | 1 | 40 | 12110-Z440110-0099 | Válvula | 2 | 76 | 18110-Z250110-0003 | Conjunto de catalístico..... | 1 |
| 8 | 90203-Z010110-0000 | Vástago..... | 2 | 41 | 12107-Z010110-0000 | Asiento de resorte de la válvula | 2 | 77 | 16620-Z440510-H700 | Tanque de combustible | 1 |
| 9 | 90502-1114-00 | Pasador | 2 | 42 | 12104-Z010110-0000 | Rotación de la válvula | 2 | 78 | 16652-Z010710-0000 | Tamiz de combustible..... | 1 |
| 10 | 12003-Z010110-0000 | Perno (culata de cilindro)..... | 4 | 43 | 12101-Z010110-0000 | Guía de la sello | 2 | 79 | 16730-Z440330-0099 | Tapa de tanque de combustible.... | 1 |
| 11 | 30010-Z010110-0000 | Bujía..... | 1 | 44 | 14081-Z040110-0000 | Empujaválvula | 2 | 80 | 16680-Z010110-0000 | Filtro de la canalisation de carburant | 1 |
| 12 | 12140-Z440510-0099 | Conjunto de culata de cilindro | 1 | 45 | 14071-Z440110-0000 | Elevador de la válvula..... | 2 | 81 | 90740-Z010210-0000 | Cuello | 2 |
| 13 | 11310-Z440520-0000 | Conjunto del cárter..... | 1 | 46 | 14090-Z010110-0000 | Conjunto de placa de la guía..... | 1 | 82 | 90686-Z010710-0000 | Conducto de combustible..... | 1 |
| 14 | 37060-Z010120-0000 | Detector de aceite de motor | 1 | 47 | 14313-Z010110-0000 | Perno de ajuste de la válvula..... | 2 | 83 | 90001-0630-01 | Perno | 1 |
| 15 | 16400-Z010110-0000 | Conjunto de engranajes del regulador..... | 1 | 48 | 14311-Z010110-0000 | Balancín de la válvula..... | 2 | 84 | 16520-Z010610-0000 | Conjunto de commande d'accélérateur..... | 1 |
| 16 | 16061-Z010110-0000 | Brazo del regulador | 1 | 49 | 14314-Z010110-0000 | Tuerca de ajuste de la válvula | 2 | 85 | 30431-Z010110-0000 | Manga de goma | 1 |
| 17 | 11007-Z010110-0000 | Perno de tapón de drenaje..... | 2 | 50 | 14312-Z010110-0000 | Contratuerca de la válvula..... | 2 | 86 | 90685-Z030410-0000 | Sujetador | 1 |
| 18 | 90408-Z010110-0000 | Arandela | 2 | 51 | 12103-Z010110-0000 | Resorte | 2 | 87 | 16804-Z440210-0099 | Manguera de vapor | 1 |
| 19 | 90547-0205-CI | Conjinetes | 2 | 52 | 16063-Z440110-0000 | Resorte de regulador..... | 1 | 88 | 15150-Z010510-0000 | Respirador del vapor del tanque de combustible..... | 1 |
| 20 | 90682-Z300110-0000 | Aceite el sello | 2 | 53 | 28200-Z010310-Q200 | Conjunto de arrancador retráctil ... | 1 | 89 | 13501-Z010110-0000 | Tuerca | 1 |
| 21 | 90305-Z010210-01 | Tuerca | 1 | 54 | 28110-Z010410-H700 | Cubierta | 1 | 90 | 28002-Z010310-0000 | Polea del arrancador | 1 |
| 22 | 90408-Z010210-0000 | Arandela | 1 | 55 | 19304-Z010110-0000 | Cubierta (recubrimiento del cilindro)1 | 1 | 91 | 19352-Z440110-0000 | Propulsor | 1 |
| 23 | 90501-Z010110-0000 | Vástago..... | 1 | 56 | 19340-Z010120-0000 | Protector inferior..... | 1 | 92 | 13510-Z440110-0000 | Conjunto de volante | 1 |
| 24 | 90001-0614-01 | Perno | 2 | 57 | 37050-Z010210-0000 | Protector por aceite..... | 1 | 93 | 90001-0625-01 | Perno | 2 |
| 25 | 11411-Z440210-0000 | Conjunto del cubierta de cárter..... | 1 | 58 | 35540-Z060130-QG00 | Conjunto del interruptor | 1 | 94 | 30400-Z440110-0000 | Bobina de encendido | 1 |
| 26 | 16012-Z010110-0000 | Resorte de retorno del valvular del acelerador | 1 | 59 | 90001-0610-01 | Perno | 5 | 95 | 90524-Z010110-0000 | Chaveta woodruff | 1 |
| 27 | 16062-Z010110-0000 | Barra de regulador..... | 1 | 60 | 16070-Z010110-0000 | Conjunto de soporte de regulador | 1 | | | | |
| 28 | 11001-Z440110-0000 | Junta del cárter..... | 1 | 61 | 90740-Z010110-0000 | Cuello | 1 | | | | |
| 29 | 90502-0912-00 | Pasador | 2 | 62 | 90001-0616-01 | Perno | 1 | | | | |
| 30 | 15010-Z010120-QG00 | Varilla de nivel de aceite | 1 | 63 | 16072-Z010110-0000 | Perno | 1 | | | | |
| 31 | 15030-Z010120-QG00 | Tapón del aceite | 1 | 64 | 90684-Z030120-0000 | Sujetador | 1 | | | | |
| 32 | 90001-0832-01 | Perno | 6 | 65 | 16100-Z440510-QG99 | Conjunto del carburador | 1 | | | | |
| 33 | 13300-Z440220-0000 | Conjunto del cárter (Inc. núms. ref. 95) | 1 | 66 | 17001-Z010210-0000 | Junta del limpiador de aire | 1 | | | | |
| | | | | 67 | 16001-Z010110-0000 | Junta del carburador | 1 | | | | |
| | | | | 68 | 16003-Z010110-0000 | Placa del aislante de carburador... 1 | | | | | |
| | | | | 69 | 16002-Z050110-0000 | Carburetor Insulator Gasket..... | 1 | | | | |

No se ilustra:

| | |
|-----------|---|
| 120960003 | Juego de altitud elevada, Ruixing carburetor (3000 - 6000 pies., no incluida) |
| 120960004 | Juego de altitud elevada, Ruixing carburetor (6000 - 8000 pies., no incluida) |
| 120968025 | Juego de altitud elevada, Huayi carburetor (3000 - 6000 pies., no incluida) |
| 120968026 | Juego de altitud elevada, Huayi carburetor (6000 - 8000 pies., no incluida) |

NOTE A: Homelite Consumer Products, Inc., no proporcionará los motores como repuestos. Los motores están cubiertos por medio de la garantía del fabricante del motor. Consulte el manual adjunto del motor o comuníquese con nuestro departamento de servicio para recibir ayuda al respecto.

* Si tiene pensado operar este producto a una altitud mayor a los 915 m (3000 pies) sobre el nivel del mar, llame al 1-800-242-4672 para adquirir uno de nuestros equipos para altitudes elevadas.

HOMELITE CONSUMER PRODUCTS, INC.

1428 Pearman Dairy Road, Anderson, SC 29625

Phone 1-800-242-4672

www.homelite.com

A subsidiary of Techtronic Industries Co., Ltd.

OTC: TTNDY